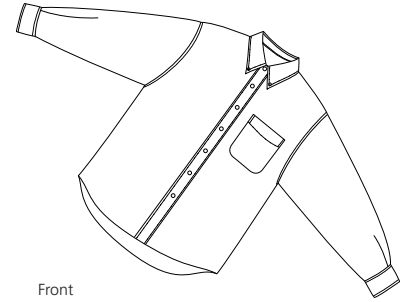
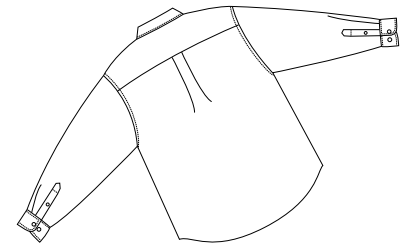


Tall Long Sleeve Denim Shirt



Front



Back

TLS600

- * 6.5-ounce * 100% cotton denim * Stonewashed * Double-needle stitched
- * Button-down collar * Patch pocket * Back pleat * Button-through sleeve placket
- * Adjustable cuffs

Care Instructions:
 Machine wash cold with like colors.
 Do not bleach. Do not dry clean.
 Tumble dry low. Warm iron if necessary.

Finished Measurements in Inches

Size	L	XL	2XL	3XL	4XL
Width	24.5	26	27.5	29	30.5
Length	34.5	36	36.5	37.5	38
Sleeve	37	38.5	39.5	40.5	41.5
Collar	17	17.5	18	18.5	19

Width measured 1" below arm hole. Length from back neck seam to hem.
 Sleeve length from center back seam to hem. Collar measured by circumference. Pocket WxH.

Colors



Please Note:
 Colors shown are approximate and for reference only. No PMS match is possible on a heathered color garment. For exact match, returnable samples and grommated samples are available.
 *Due to a special washing process, colors may vary

Color Chart

Color	Faded Denim
Textile PMS	No Match
General PMS	No Match